
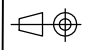
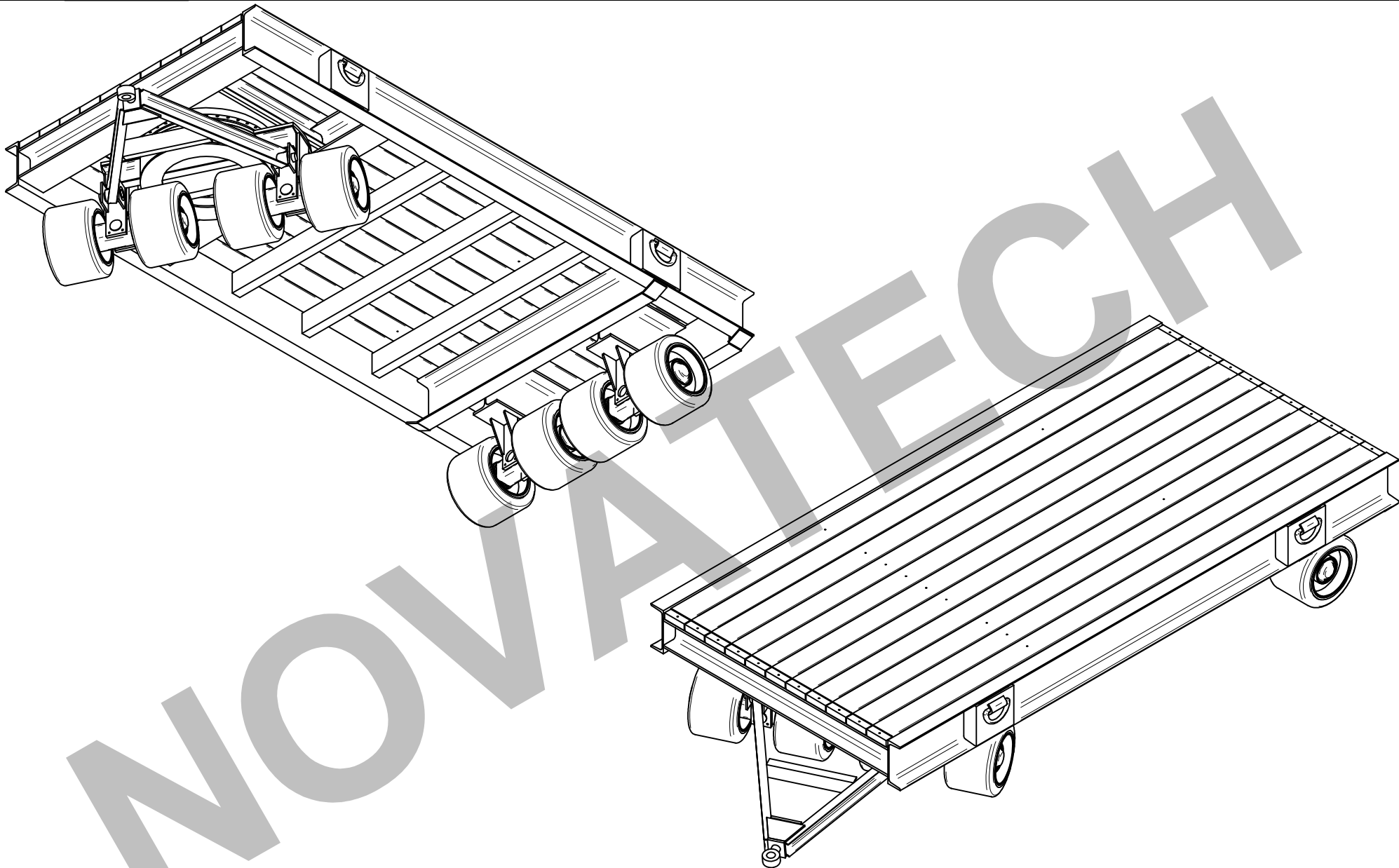

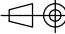


Prod:		Drawing number		Description		
Sheet: 1 of 2		601.211		RT 4m 35T		
Scale	Mass	Metric:mm			Skudehavnsvej 30, DK9000 Aalborg Phone: +45 98165009 Fax: +45 98168097	Rev. A
1:20						
Copyright NOVATECH ApS. All rights reserved. Copying and reproduction not permitted. Document contains confidential information. This document is property of NOVATECH ApS.						



Prod:		Drawing number		Description	
Sheet: 2 of 2		601.211		RT 4m 35T	
Scale	Mass	Metric:mm			Skudehavnsvej 30, DK9000 Aalborg Phone: +45 98165009 Fax: +45 98168097
1:20					
<small>Copyright NOVATECH ApS. All rights reserved. Copying and reproduction not permitted. Document contains confidential information. This document is property of NOVATECH ApS.</small>					